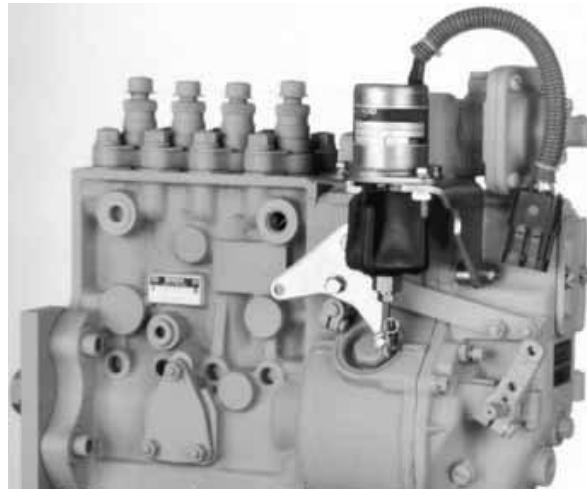
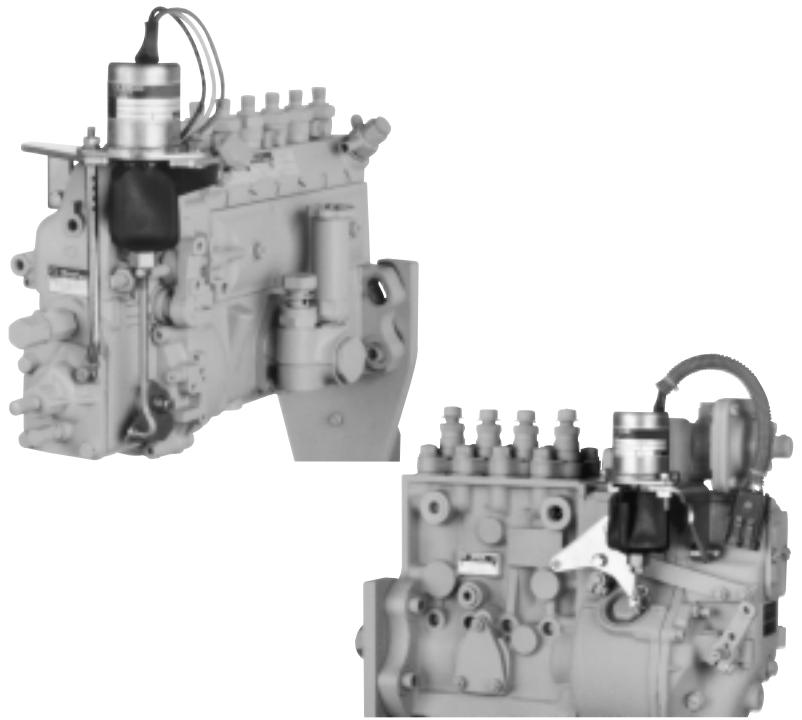


Solenoid Shutdown Kits



Shutdown Kits

Safe, dependable shutdown systems fit a range of engines and fuel injection pump governors. Designed for ease of installation and maintenance, kits contain solenoid and all mounting hardware for attachment to the governor housing.



Features:

- Hold coil designed for continuous duty operation under the most severe temperature and vibration conditions
- Brass liner plunger bore for long life
- Plunger hard chrome plated for smooth, reliable, wear-resistant operation
- Plated steel solenoid, bracket, linkage, lever and hardware for corrosion resistance
- Available in 12 and 24 volt models
- Optional Packard Weather Pack, or Metri-Pack sealed connectors (RQV-K Bosch Kit includes Packard Weather Pack connector)
- Mounting hardware included for fast, easy installation
- Kits contain the properly selected solenoid and return spring for running and stopping engines under all conditions
- Solenoids are sized according to deration for hot temperature and low voltage

Kits Available:

- RQV-K Type Bosch Kit
- RSV Type Bosch Kit
- Kubota Kit 1A (62.2 mm series engines)
- Kubota Kit 3A (70 and 82 mm series engines)
- Mitsubishi L Series Kit
- RSV Type Zexel Nippondenso Kit

E.E.C. Directive Compliance: All parts supplied by Woodward are classified as components, and therefore are not "CE" marked. Please contact factory direct for details on specific product compliance with 89/336/EEC and 89/392/EEC directives.

Shutdown Kits

Specifications:

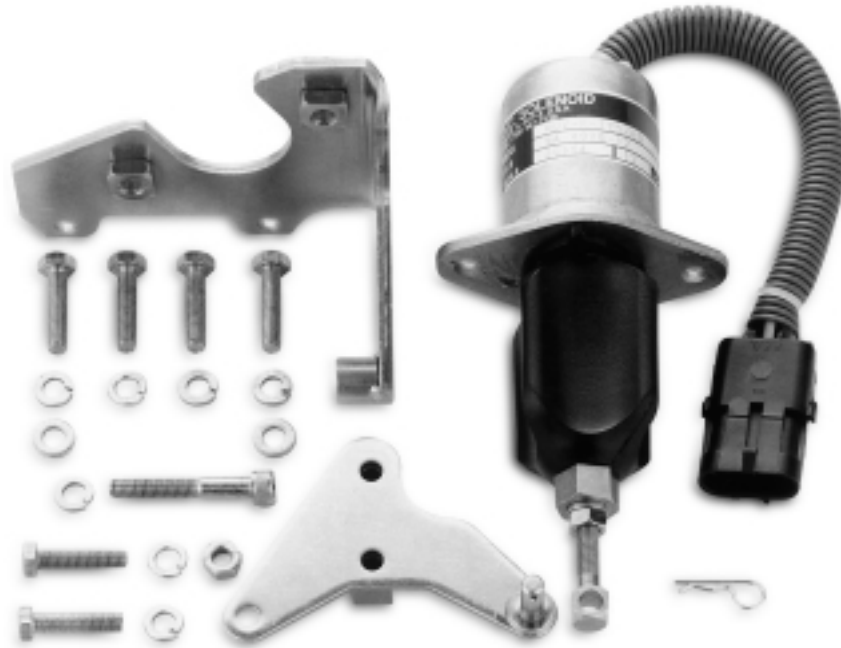
Solenoid	3-wire externally switched (ES) solenoid Internally switched solenoid also available on Kubota and RSV-Bosch kits
Rated Voltage	12 or 24 VDC
Ambient Temperature	-40°F to +250°F (-40°C to +121°C)
Weight	Approx. 3.0 lbs (1.4 kg)

Engine Series	Voltage	Pull Current	Hold Current
RQV-K Bosch	12	55 A	1.1 A
	24	29 A	0.6 A
RSV Bosch	12	46 A	1.1 A
	24	25 A	0.5 A
Kubota 1A (62.2 mm series)	12	33 A	0.8 A
	24	18 A	0.4 A
Kubota 3A (70 & 82 mm series)	12	46 A	1.1 A
	24	25 A	0.5 A
Mitsubishi L	12	46 A	1.1 A
RSV Zexel Nippondenso	12	55 A	1.1 A
	24	29 A	0.6 A

Solenoid Shutdown Systems

Specifications are for reference only.

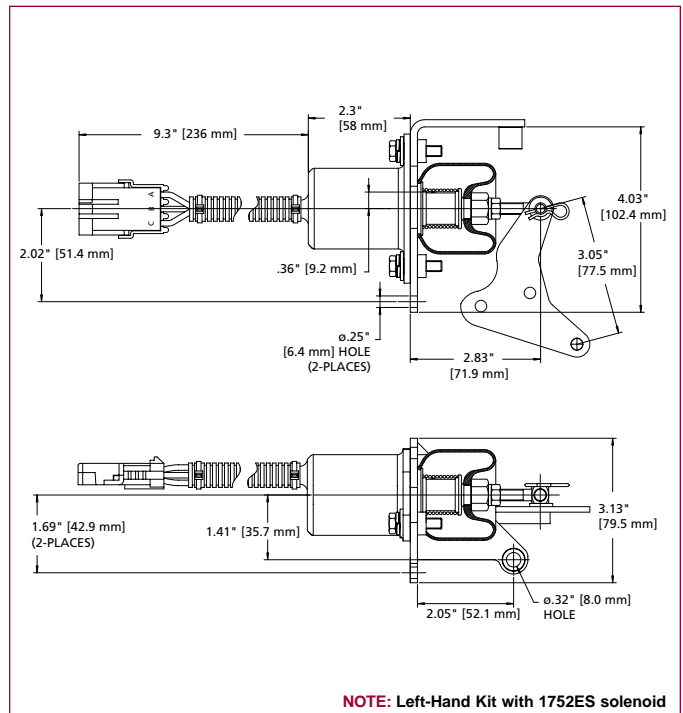
Shutdown Kits



RQV-K Bosch Kit

- Installs on a variety of engines using Bosch pumps with RQV-K governor
- 1752ES solenoid has built-in Packard Weather Pack connector (Housing No. 12020827)

ORDER NO.	Solenoid Model	Voltage
SA-4026-12	1752ES	12 VDC
SA-4026-24	1752ES	24 VDC



Shutdown Kits

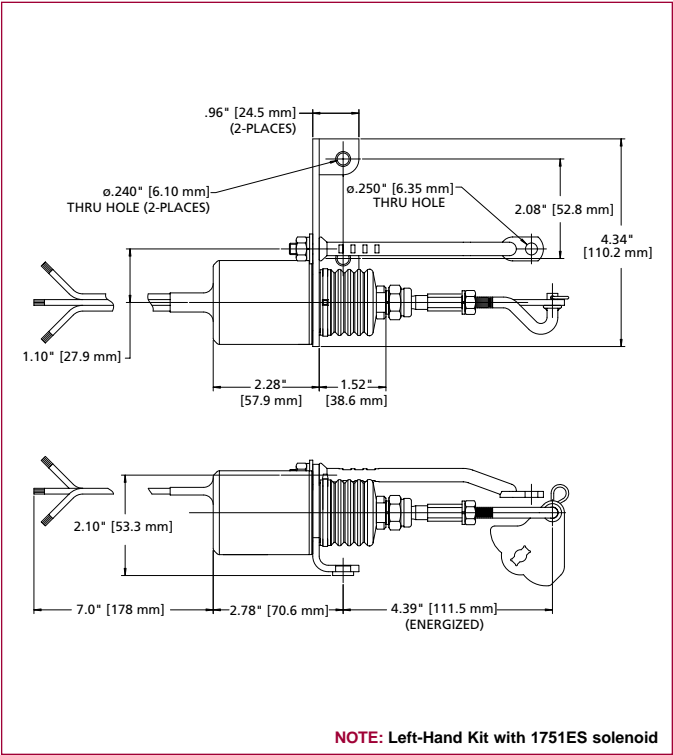


RSV Bosch Kit

- Installs on a variety of engines and Bosch Models A, MW, and P pumps with RSV governor
- Right- or left-hand mounting styles

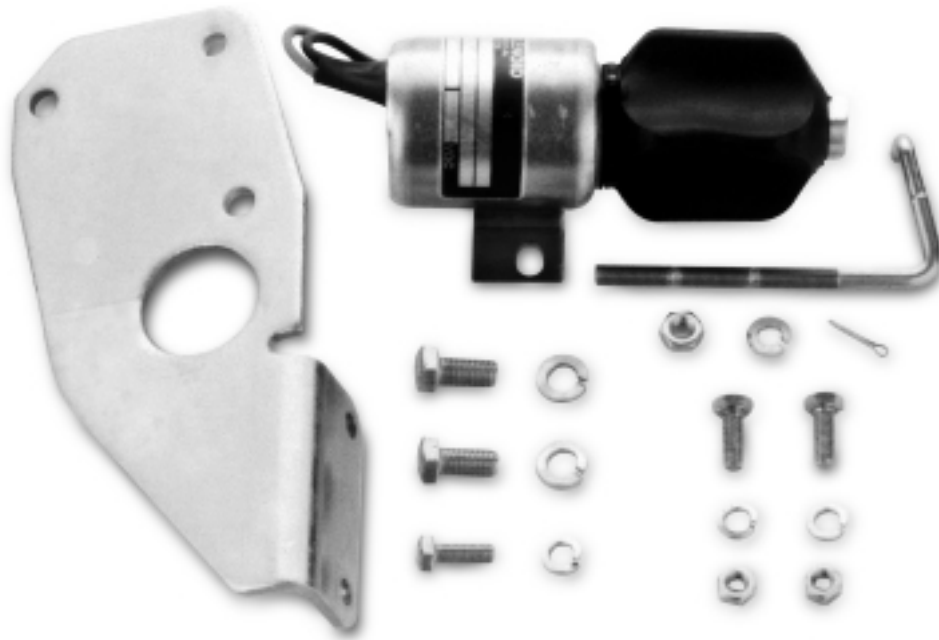
ORDER NO. Right-Hand	Solenoid Model	Voltage
SA-3799-12	1751ES	12 VDC
SA-3799-24	1751ES	24 VDC
SA-3800-12	1751	12 VDC
SA-3800-24	1751	24 VDC

ORDER NO. Left-Hand	Solenoid Model	Voltage
SA-3742-12	1751ES	12 VDC
SA-3742-24	1751ES	24 VDC
SA-3765-12	1751	12 VDC
SA-3765-24	1751	24 VDC



Solenoid Shutdown Systems

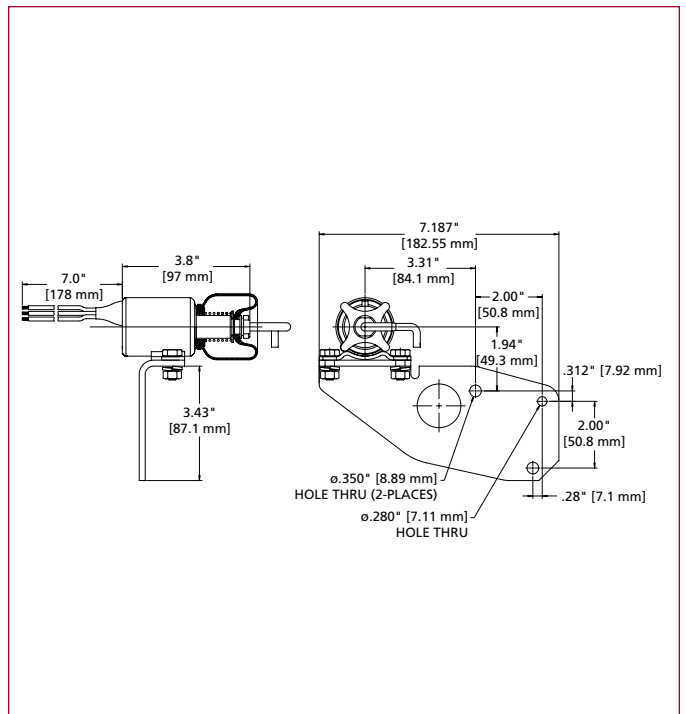
Shutdown Kits



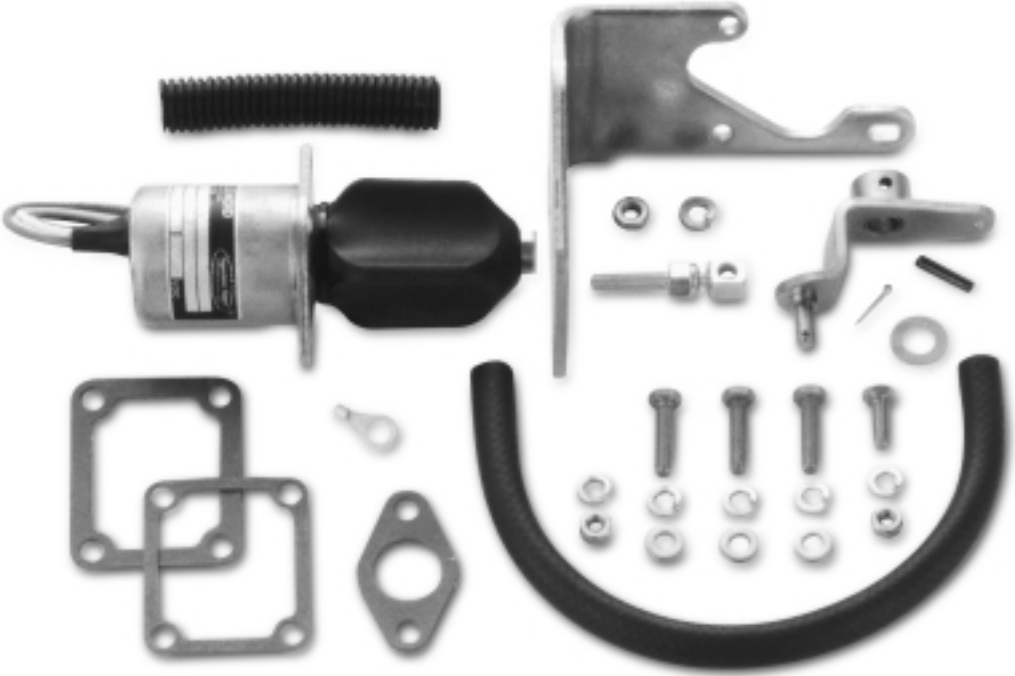
Kubota 1A Kit (62.2 mm series engines)

- Installs on Kubota 62.2 mm series engines
- Also available as hardware kit without 1753 solenoid

ORDER NO.	Solenoid Model	Voltage
SA-4268-12	1753	12 VDC
SA-4269-12	1753ES	12 VDC
SA-4270 (Hardware only)	—	—



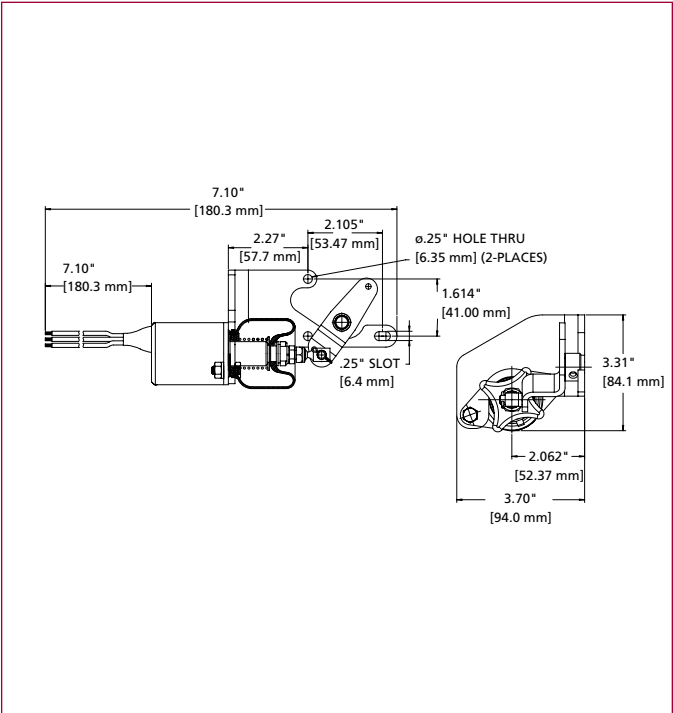
Shutdown Kits



Kubota 3A Kit (70 & 82 mm series engines)

- Installs on Kubota 70 and 82 mm series engines
- Also available as hardware kit without 1751 solenoid

ORDER NO.	Solenoid Model	Voltage
SA-4259-12	1751	12 VDC
SA-4260-12	1751ES	12 VDC
SA-4260-24	1751ES	24 VDC
SA-4264 (Hardware only)	—	—



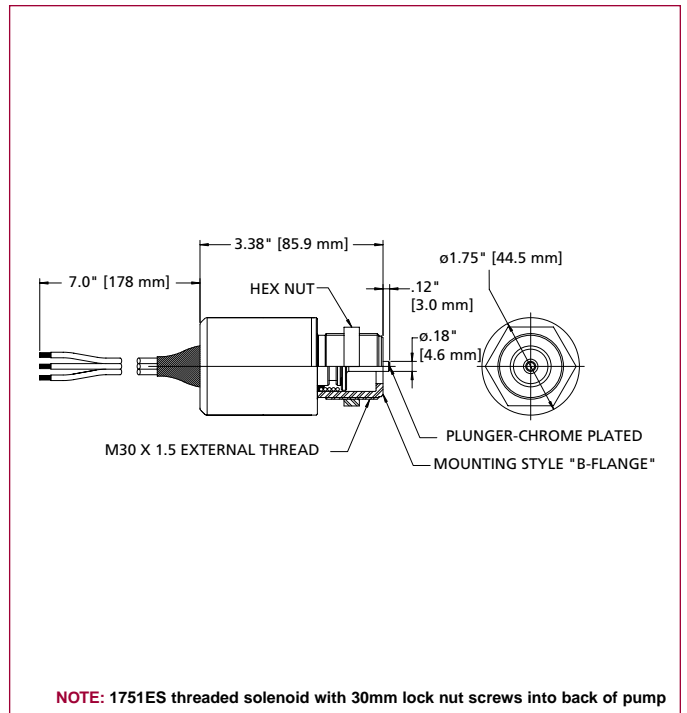
Shutdown Kits



Mitsubishi L Kit

- Installs on Mitsubishi "L" Series engines directly into pump with no external linkage

ORDER NO.	Solenoid Model	Voltage
SA-3725	1751ES	12 VDC



Shutdown Kits

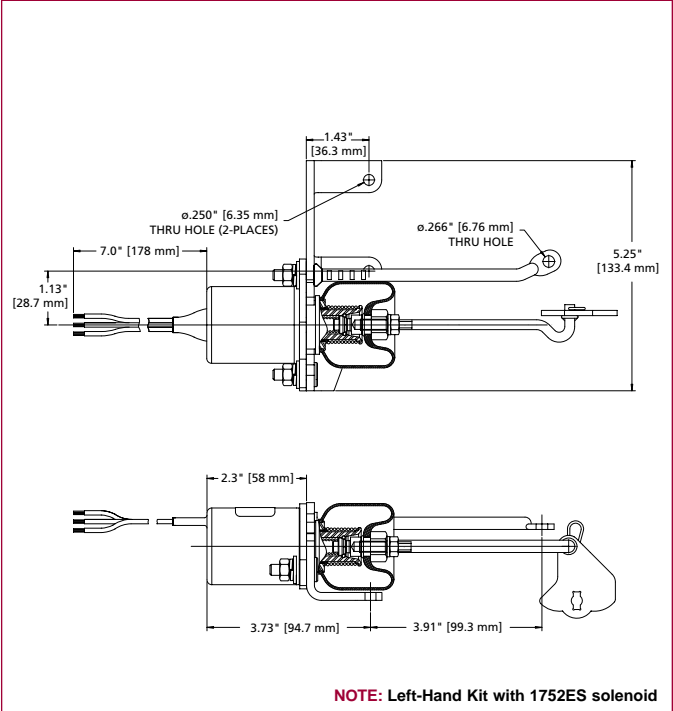


RSV Zexel Nippondenso

- Installs on a variety of engines using Zexel or Nippondenso pumps with RSV governor
- Right- or left-hand mounting styles

ORDER NO. Right-Hand	Solenoid Model	Voltage
SA-3999-12	1752ES	12 VDC
SA-3999-24	1752ES	24 VDC

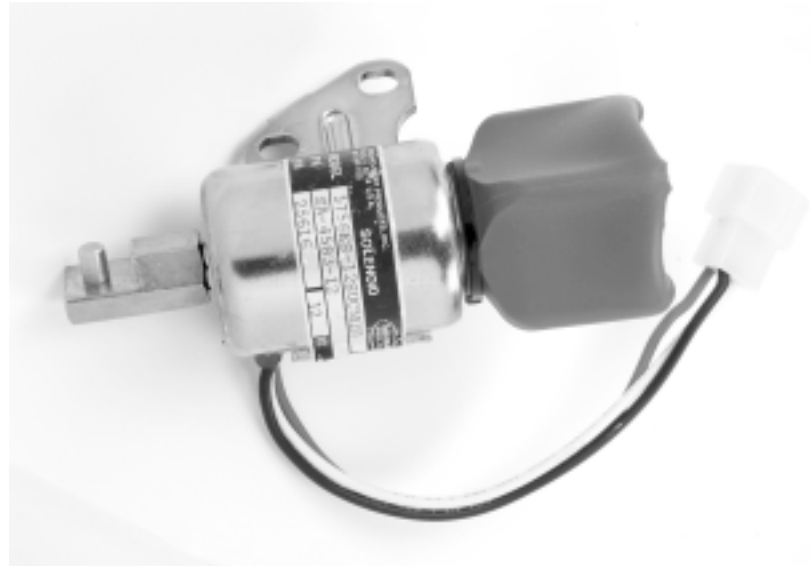
ORDER NO. Left-Hand	Solenoid Model	Voltage
SA-4014-12	1752ES	12 VDC
SA-4014-24	1752ES	24 VDC



Solenoid Shutdown Systems

Shutdown Solenoid Kit

Fuel shutdown solenoid mounts closely above the front gear housing behind the fan on Kubota D722 & Z482 engines.



Features:

- Energized to run, fail-safe operation
- Hold coil designed for continuous duty operation under the most severe temperature and vibration conditions
- Brass liner plunger bore for long life
- Plunger hard chrome plated for smooth, reliable, wear-resistant operation
- Plated steel solenoid, bracket, linkage, lever and hardware for corrosion resistance
- Available in 12 and 24 volt models
- Mounting hardware included for fast, easy installation

Order Information:

ORDER NO.	Solenoid	Voltage
SA-4899-12	1756ES	12 VDC
SA-4899-24	1756ES	24 VDC

Kubota Shutdown Lever:

Engine must be equipped with proper shutdown lever in order to install the shutdown solenoid. Order appropriate part number from Kubota.

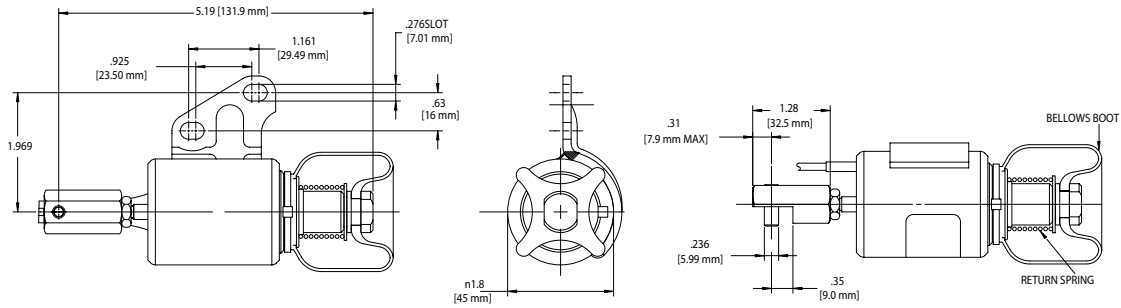
PART NO.	Engine Production Date*
16851-57720	Before April, 2001
16851-57723	After April, 2001

*Contact Kubota with engine serial number

E.E.C. Directive Compliance: All parts supplied by Woodward are classified as components, and therefore are not "CE" marked. Please contact factory direct for details on specific product compliance with 89/336/EEC and 89/392/EEC directives.

Shutdown Solenoid

KUBOTA D722 & Z482



Specifications:

Rated Voltage	12 or 24 VDC
Ambient Temperature	-40°F to +250°F (-40°C to +121°C)
Weight	Approx. 1.8 lbs (0.8 kg)

Engine Type	Voltage	Pull Current	Hold Current
Kubota D722 & Z482	12	46 A	1.1 A
	24	25 A	0.5 A

Specifications are for reference only.

e-mail: info_niles@woodward.com

We appreciate your comments about the content of our publications.

Send comments to: icinfo@woodward.com

Please reference publication **36590**.



PO Box 1519, Fort Collins CO 80522-1519, USA
1000 East Drake Road, Fort Collins CO 80525, USA
Phone +1 (970) 482-5811 • Fax +1 (970) 498-3058

Email and Website—www.woodward.com

**Woodward has company-owned plants, subsidiaries, and branches,
as well as authorized distributors and other authorized service and sales facilities throughout the world.**

Complete address / phone / fax / email information for all locations is available on our website.