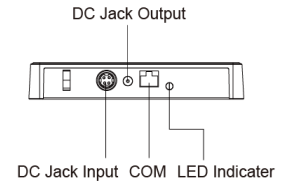
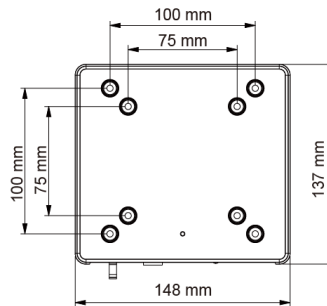


# UPS Battery Box

## Features

- Slim design
- High flexibility and space-saving by mounting on VESA 100 x 100 / 75 x 75
- UPS battery life  $20 \pm 5$  minutes
- LED indicator for status
- Windows and Android API for battery status



## Specifications

<b>Main Chip</b>	Charger IC MCU	TI BQ24735 Nuvoton Nano 120
<b>External I/O Ports</b>	DC Jack Input DC Jack Output Serial Port	1x 4 pin w/ lock 1x 2 pin w/o lock 1x RJ45 (Connect to system RS232)
<b>Indicator</b>	LED Indicator	1
<b>LED Status</b>	On Steady Blinking On/ Off Regularly Blinking Slow Blinking Fast Off	Batteries full charged / running on AC power Battery charging / running on AC Power Running on batteries Batteries almost discharged / system signaled to shut down Battery off / shipping mode / battery OCP be detected
<b>Battery &amp; Power</b>	Cell Power Adapter Input Battery Mode Output AC Mode Output	SANYO Lithium-ion polymer rechargeable battery cell UR18650ZT 65W / 19V or 90W / 19V (depends on Models) 14.4V, 2800mAh 4S1P 65W / 19V or 90W / 19V (depends on Adapter)
<b>Certification</b>	EMC & Safety (requested)	FCC Class A, CE Mark, LVD
<b>Environment</b>	ESD Operating Temperature Storage Temperature Humidity	6kV contact discharge, 10kV air discharge 0°C ~ 35°C (32°F ~ 95°F) -20°C ~ 60°C (-4°F ~ 140°F) 20% ~ 80% RH non-condensing
<b>Dimension (WxDxH)</b>		148 x 25 x 137 mm (5.8" x 1.0" x 5.4")
<b>Weight</b>		0.7 kg (1.5 lbs)